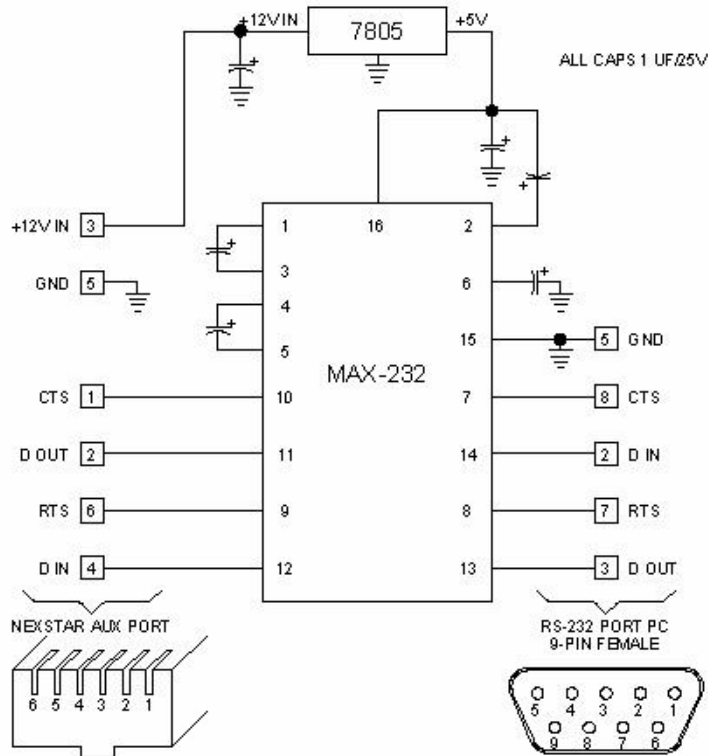


Langenbrettach, October 8th 2004

**Levelconverter TTL-RS232 for Aux-Port of Nxi/NxGPS using MAX232:**

(please note that this converter will not work with the advanced GT mount !)



Completed Converter in encasing with cabling



Label for encasing of converter

Best regards

Matthias

Emails: [DDIUS@AMSAT.ORG](mailto:DDIUS@AMSAT.ORG)

Homepage: <http://www.dd1us.de>