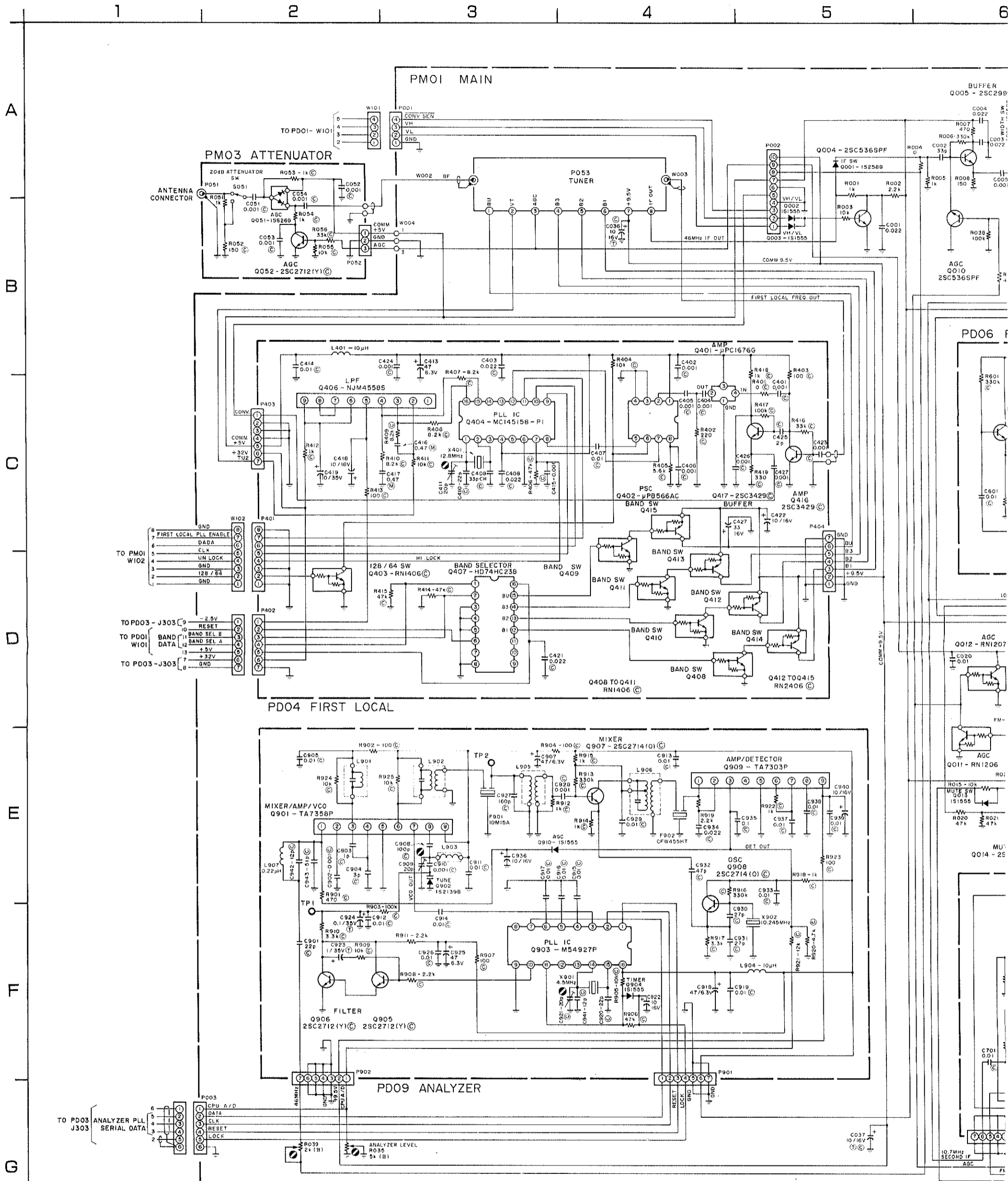
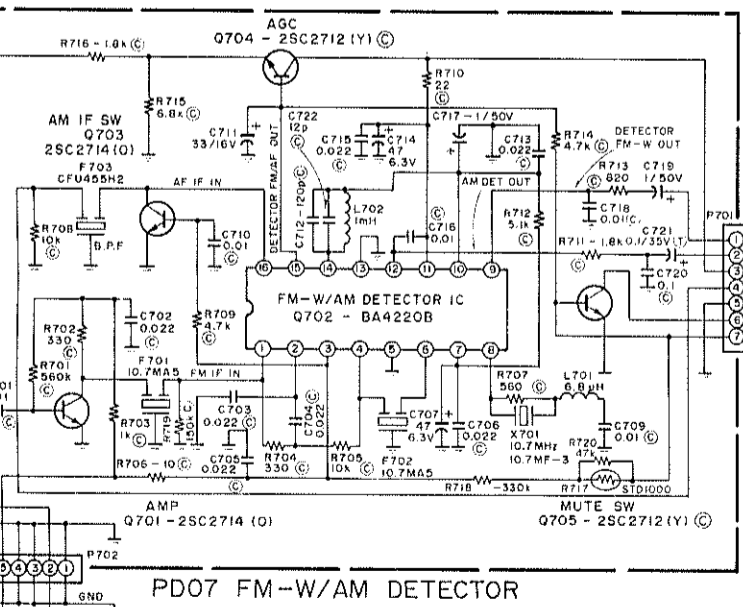
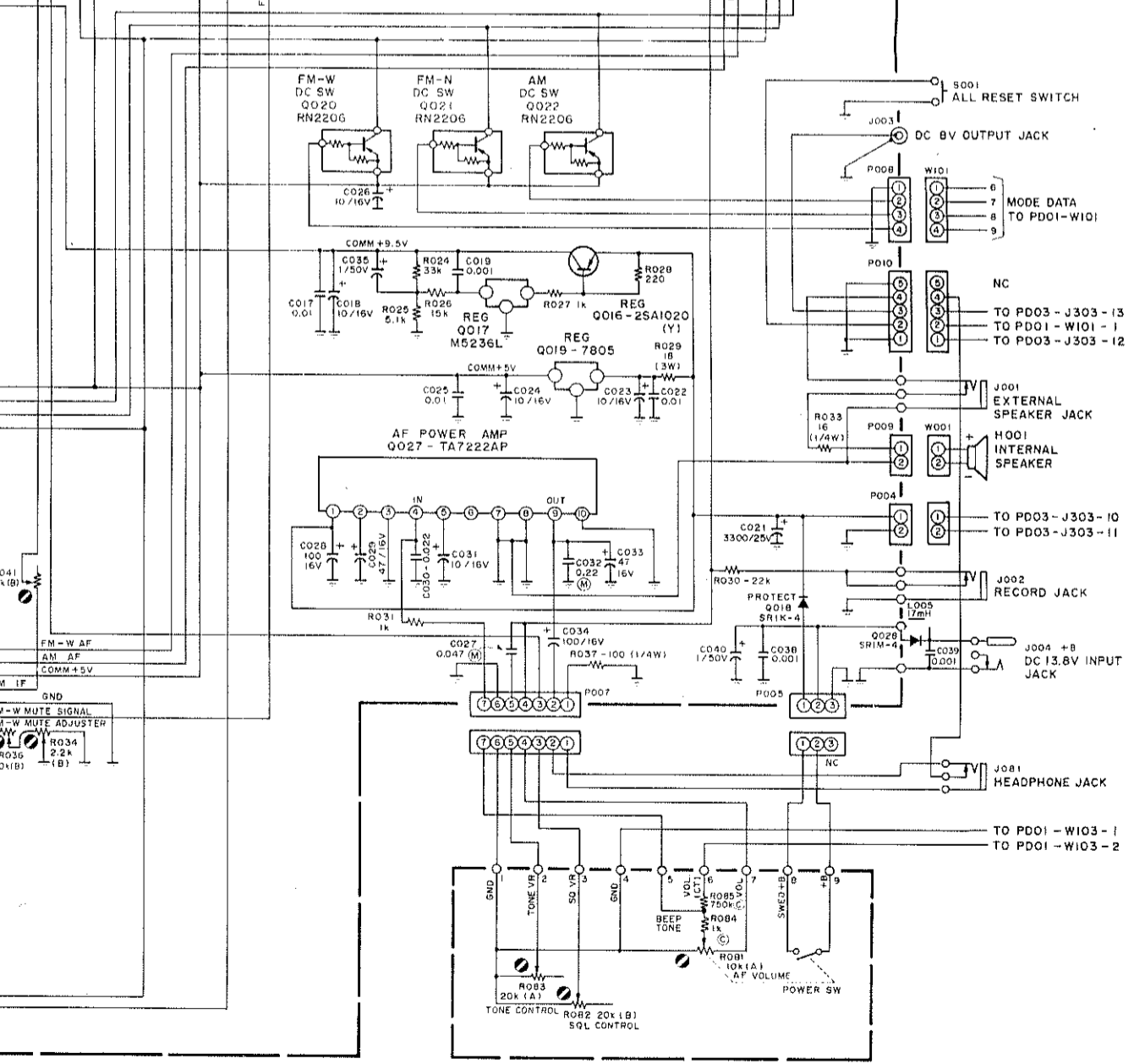
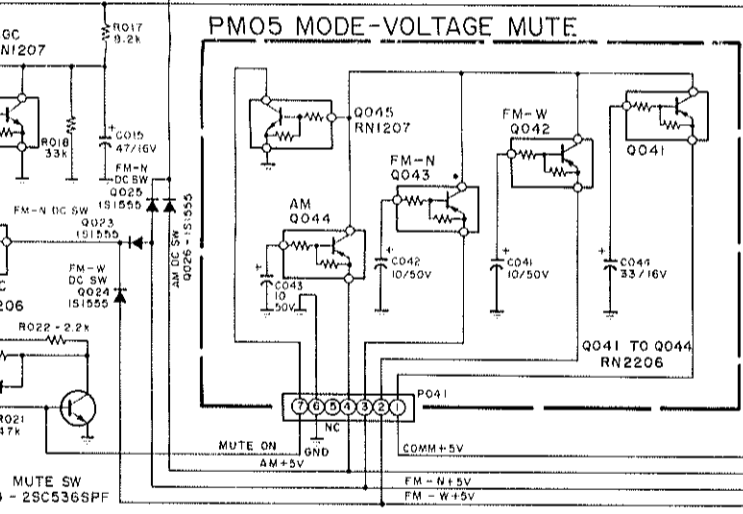
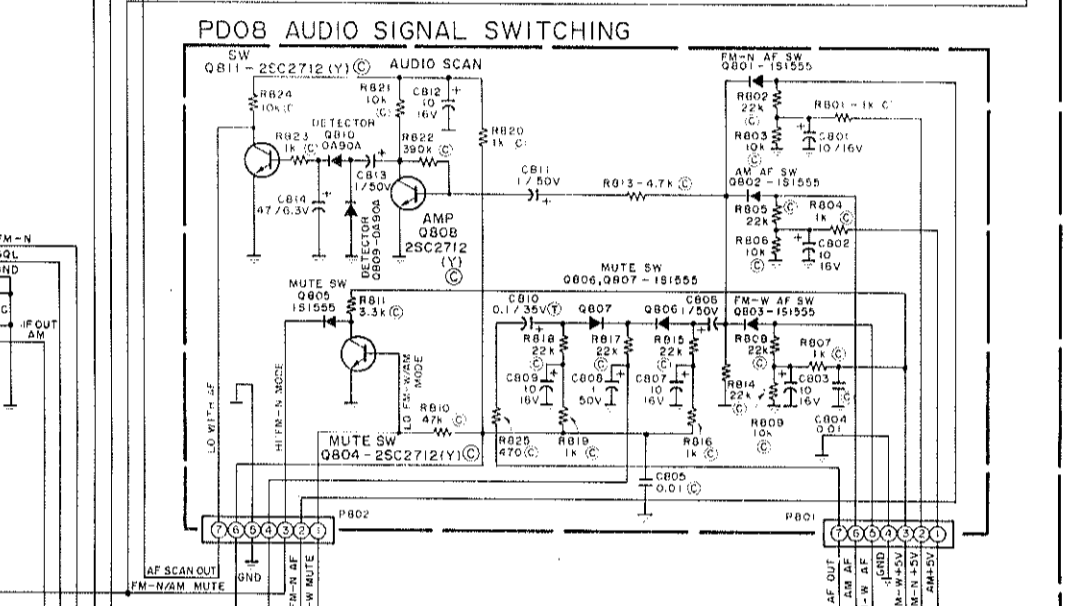
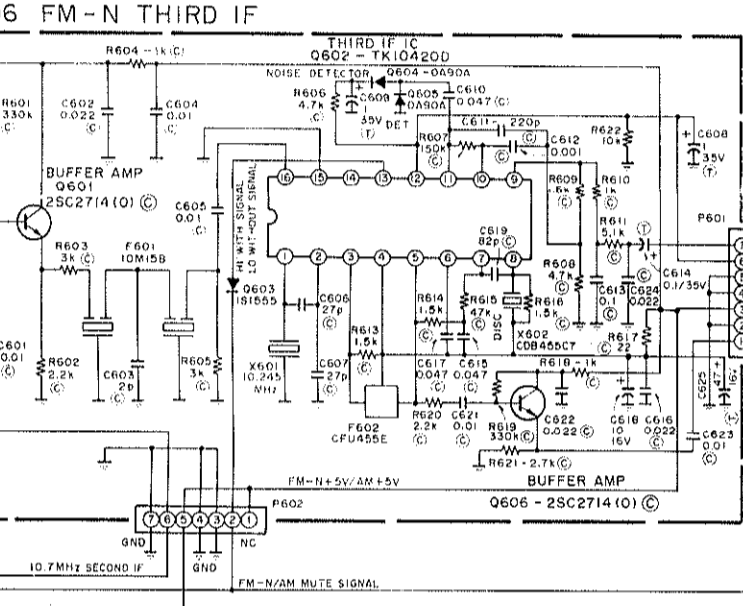
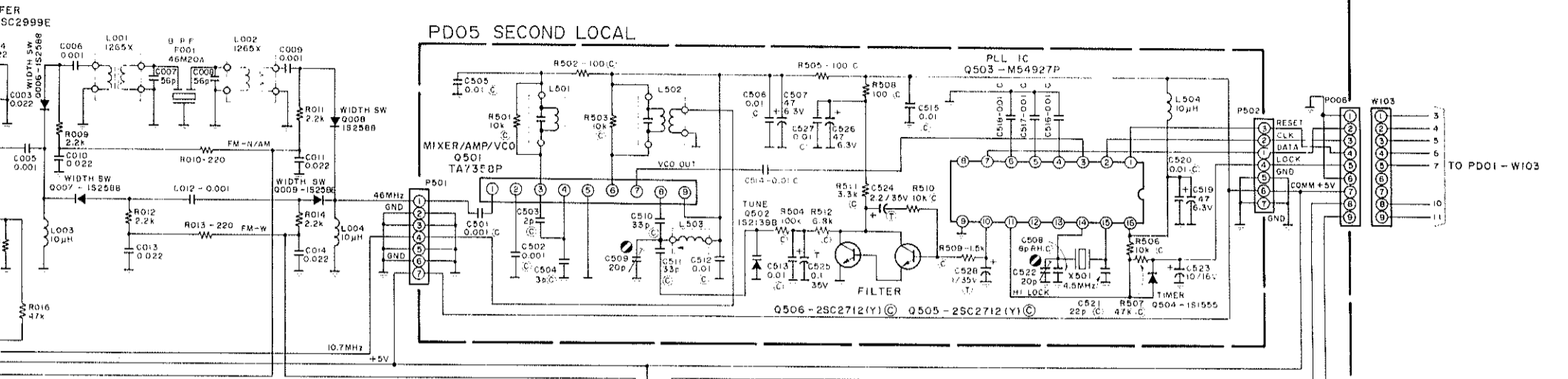


7. SCHEMATIC DIAGRAM

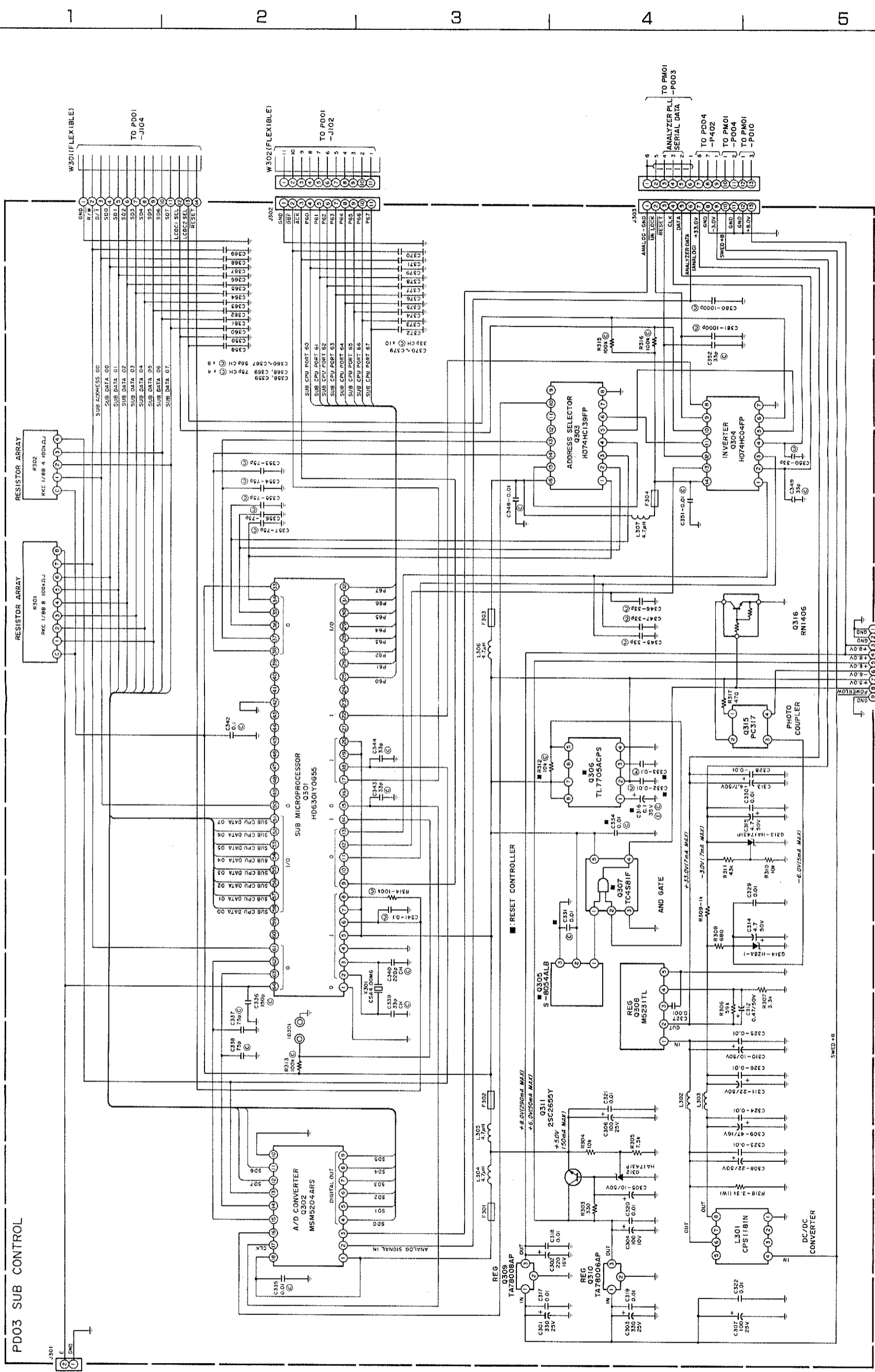




NOTES:
 1. REFER TO PARTS LIST FOR COMPONENT VALUES.
 2. UNLESS OTHERWISE NOTED RESISTOR VALUES ARE IN OHMS, AND CAPACITOR VALUES ARE IN MICROFARADS.



A B C D M T Q



NOTES:
 1. REFER TO PARTS LIST FOR COMPONENT VALUES.
 2. UNLESS OTHERWISE NOTED RESISTOR VALUES ARE IN OHMS,
 AND CAPACITOR VALUES ARE IN MICROFARADS.

TO PD03 - J302

TO PD01 - J101

TO PD04 MODE - P402 DATA

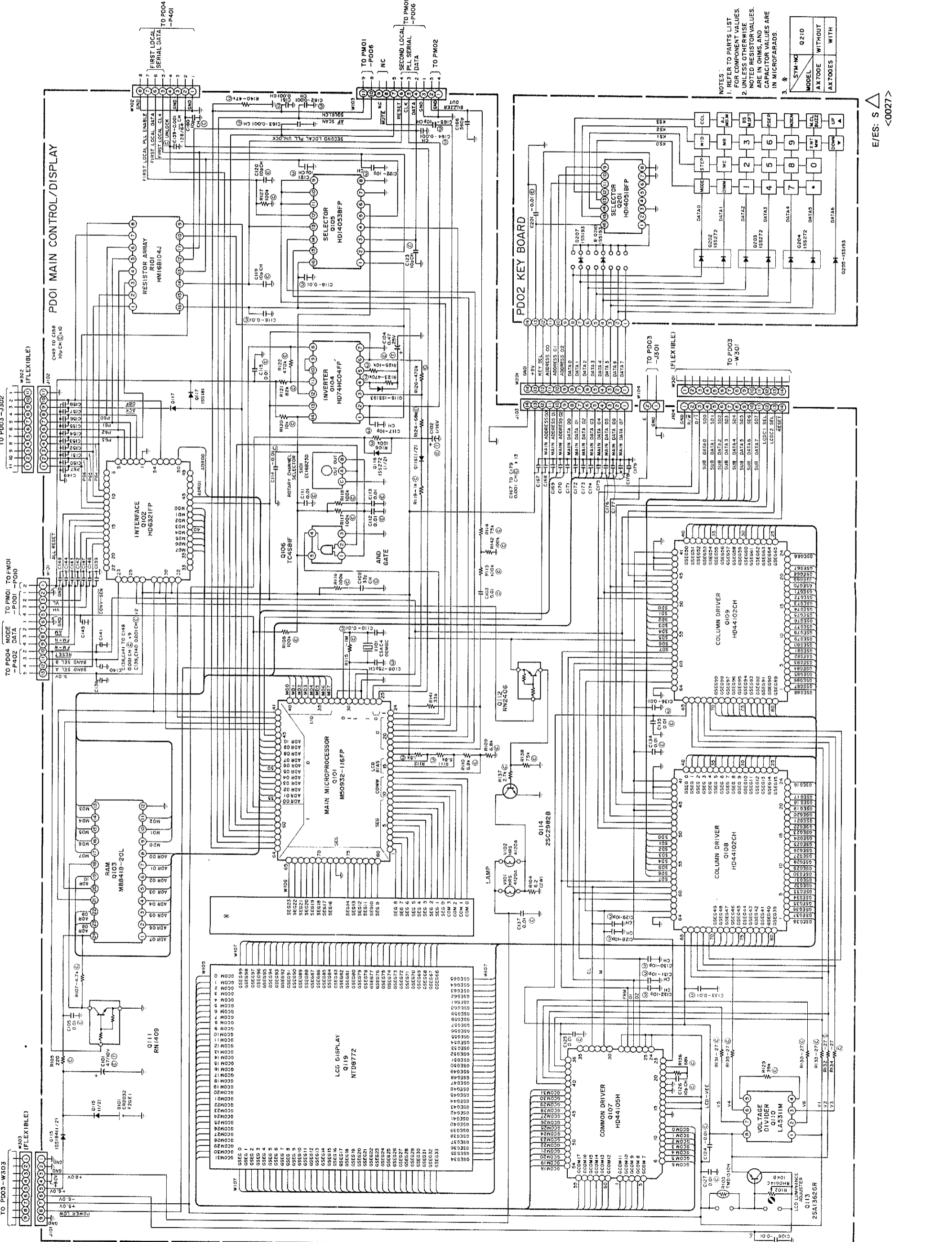
TO PD01 TO PD01

TO PD03 - W303

TO PD01 - P008

TO PD01 - P010

S 3/3
 <0027>



- NOTES:
1. REFER TO PARTS LIST FOR COMPONENT VALUES.
 2. UNLESS OTHERWISE NOTED RESISTOR VALUES ARE IN OHMS, AND CAPACITOR VALUES ARE IN MICROFARADS.

SYM-NO	Q 210
MODEL	WITHOUT
AX TOOE	WITH

E/ES: S Δ <0027>